



## ALUMINUM OUTLET BODIES



C Type



L Type

Class I, Div. 1 & 2, Groups B, C, D\*  
 Class I, Zone I, Groups IIC, IIB, IIA  
 Class II, Div. 1 & 2, Groups E, F, G  
 Class III  
 NEMA 4X

UL LISTED File No. E 10514

SF Certified File No. LR11716

### FEATURES-SPECIFICATIONS

#### Applications

GEB series conduit boxes are installed in conduit systems within hazardous areas to:

- Protect conductors in threaded rigid conduit
- Act as pull and splice boxes
- Interconnect lengths of conduit
- Change conduit direction
- Provide access to conductors for maintenance and future system changes

#### Features

- Suitable for NEMA 4X applications
- Integral mounting lugs
- Green ground screw standard
- External cover thread on body plus smooth integral hub bushing protects conductor insulation when pulling
- 4 different hub arrangements
- Taper threaded hubs provide ground continuity
- External threaded body for additional wiring room
- Covers and gaskets furnished with boxes as standard

#### Factory Modification

- Back and wall (mounting pad area) suitable for drilling 1/2" or 3/4" NPT or NPSM w/opening, consult factory

#### Material/Finish

##### Aluminum

- **BODY & COVER** Copper-free aluminum (less than 4/10 of 1%)
- **FINISH** Electrostatically applied powder coating

#### Size Ranges

- Hub – 3/4" to 1-1/2"
- Cover opening – 3-1/2"

#### Applicable Third Party Standards

UL Standards: 886 and 1203  
 CSA Standards: C22.2 No. 30

\* 1-1/2" hub sizes require seal within 24" for Group B applications.

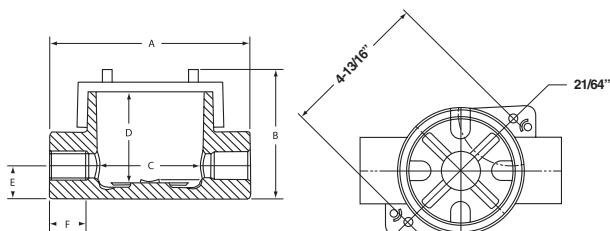
For ATEX and IEC Ex certified GEB Outlet Bodies, see page F56

#### C TYPE OUTLET BODY

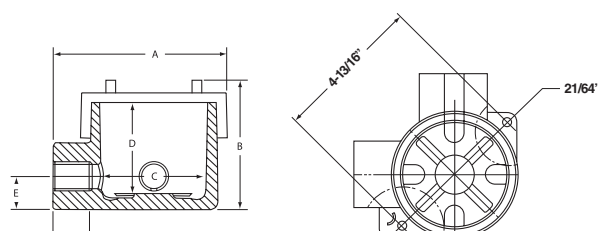
CATALOG NUMBER	HUB SIZE	DIMENSIONS						COVER OPENING	VOLUME CU. IN.
		A	B	C	D	E	F		
GEBC-2	3/4"	6-1/2" (165)	4-5/16" (110)	3-1/4" (83)	2-15/16" (75)	1-3/32" (28)	1-3/16" (30)	3-1/2" (89)	29
GEBC-3	1"	6-1/2" (165)	4-5/16" (110)	3-1/4" (83)	2-15/16" (75)	1-3/32" (28)	1-3/16" (30)	3-1/2" (89)	29
GEBC-4	1-1/4"	6-1/2" (165)	4-5/16" (110)	3-1/4" (83)	2-15/16" (75)	1-3/32" (28)	1-3/16" (30)	3-1/2" (89)	29
GEBC-5	1-1/2"	6-1/2" (165)	4-5/16" (110)	3-1/4" (83)	2-15/16" (75)	1-3/32" (28)	1-3/16" (30)	3-1/2" (89)	29

#### L TYPE OUTLET BODY

CATALOG NUMBER	HUB SIZE	DIMENSIONS						COVER OPENING	VOLUME CU. IN.
		A	B	C	D	E	F		
GEBL-2	3/4"	5-1/2" (140)	4-5/16" (110)	3-1/4" (83)	2-15/16" (75)	1-3/32" (28)	1-3/16" (30)	3-1/2" (89)	29
GEBL-3	1"	5-1/2" (140)	4-5/16" (110)	3-1/4" (83)	2-15/16" (75)	1-3/32" (28)	1-3/16" (30)	3-1/2" (89)	29
GEBL-4	1-1/4"	5-1/2" (140)	4-5/16" (110)	3-1/4" (83)	2-15/16" (75)	1-3/32" (28)	1-3/16" (30)	3-1/2" (89)	29
GEBL-5	1-1/2"	5-1/2" (140)	4-5/16" (110)	3-1/4" (83)	2-15/16" (75)	1-3/32" (28)	1-3/16" (30)	3-1/2" (89)	29



C Type



L Type



# FITTINGS

## ALUMINUM OUTLET BODIES



T Type



X Type

Class I, Div. 1 & 2, Groups B, C, D\*  
 Class I, Zone I, Groups IIC, IIB, IIA  
 Class II, Div. 1 & 2, Groups E, F, G  
 Class III  
**NEMA 4X**

UL LISTED File No. E 10514

SP Certified File No. LR11716

### FEATURES-SPECIFICATIONS

See page F51 for Standard Materials & Finish

**Outlet Box for in-line  
 (multiple) stanchion mount fixtures**

**Typical Applications:**

Coal Conveyors, Cat Walks, Platform Hand Rails



GEBT-25 with two 3/4" feed-thru hubs and one 1-1/2" vertical hub

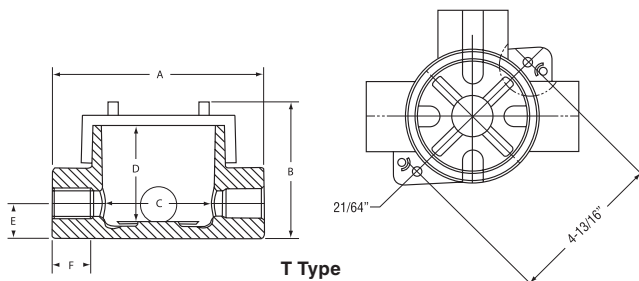
T TYPE OUTLET BODY									
CATALOG NUMBER	HUB SIZE	DIMENSIONS						COVER OPENING	VOLUME CU. IN.
		A	B	C	D	E	F		
GEBT-2	3/4"	6-1/2" (165)	4-5/16" (110)	3-1/4" (83)	2-15/16" (75)	1-3/32" (28)	1-3/16" (30)	3-1/2" (89)	29
GEBT-3	1"	6-1/2" (165)	4-5/16" (110)	3-1/4" (83)	2-15/16" (75)	1-3/32" (28)	1-3/16" (30)	3-1/2" (89)	29
GEBT-4	1-1/4"	6-1/2" (165)	4-5/16" (110)	3-1/4" (83)	2-15/16" (75)	1-3/32" (28)	1-3/16" (30)	3-1/2" (89)	29
GEBT-5	1-1/2"	6-1/2" (165)	4-5/16" (110)	3-1/4" (83)	2-15/16" (75)	1-3/32" (28)	1-3/16" (30)	3-1/2" (89)	29
GEBT-24	(2) 3/4" (1) 1-1/4"	6-1/2" (165)	4-5/16" (110)	3-1/4" (83)	2-15/16" (75)	1-3/32" (28)	1-3/16" (30)	3-1/2" (89)	29
GEBT-25	(2) 3/4" (1) 1-1/2"	6-1/2" (165)	4-5/16" (110)	3-1/4" (83)	2-15/16" (75)	1-3/32" (28)	1-3/16" (30)	3-1/2" (89)	29

\* 1-1/2" hub size requires seal within 24" for group B applications.

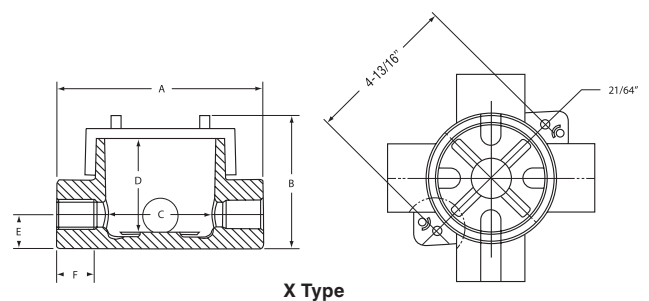
X TYPE OUTLET BODY									
CATALOG NUMBER	HUB SIZE	DIMENSIONS						COVER OPENING	VOLUME CU. IN.
		A	B	C	D	E	F		
GEBX-2	3/4"	6-1/2" (165)	4-5/16" (110)	3-1/4" (83)	2-15/16" (75)	1-3/32" (28)	1-3/16" (30)	3-1/2" (89)	29
GEBX-3	1"	6-1/2" (165)	4-5/16" (110)	3-1/4" (83)	2-15/16" (75)	1-3/32" (28)	1-3/16" (30)	3-1/2" (89)	29
GEBX-4	1-1/4"	6-1/2" (165)	4-5/16" (110)	3-1/4" (83)	2-15/16" (75)	1-3/32" (28)	1-3/16" (30)	3-1/2" (89)	29
GEBX-5	1-1/2"	6-1/2" (165)	4-5/16" (110)	3-1/4" (83)	2-15/16" (75)	1-3/32" (28)	1-3/16" (30)	3-1/2" (89)	29

For ATEX and IEC Ex certified GEB Outlet Bodies, see page F56

### Dimensions



T Type



X Type



INSTRUMENT / DEVICE – UL / CSA / ATEX / IECEx



GR with Cover



- File E83969



Certified - LR11716

Sira 12ATEX1243U

IECEx SIR 12.0106U

Class I, Div. 1 & 2, Groups B, C, D  
 Class I, Zone 1 & 2, Groups IIC, IIB, IIA  
 Class II, Div. 1 & 2, Groups E, F, G  
 Class III  
 Enclosure Type 3, 4 & 4X IP66

0539 II 2 G D

Ex d IIC Gb  
 Ex e IIC Gb  
 Ex t IIC Db  
 Ta = -40°C to +163°C\* IP66

**FEATURES-SPECIFICATIONS**

**Applications**

**GEB-EX SERIES** is designed to house small instrumentation or devices for installation in a classified or a zone designated hazardous location anywhere on the **GLOBE** today.

Typical types of instruments are transmitters, monitors, detectors, measurement devices, relays and other control devices.

The **GEB-EX SERIES** enclosures are suitable for a broad range of **GLOBAL APPLICATIONS** meeting both domestic and international electrical code requirements.

**Features**

- Body opening 3-1/2" Dia. x 3" deep.
- Cover o-ring supplied as standard for **TYPE 4X AND IP66** applications.
- Available in 4 configurations, C, L, T & X with **1/2" THROUGH 1-1/2" NPT TAPER THREADED HUBS** providing ground continuity.
- Smooth integral hub busing to protect conductor insulation when pulling.
- External cover threads on the body protecting conductors from damages during pulling.
- No pinching of conductors during cover installation.
- One internal & two external grounding (earthing) connections
- Boxes have integral mounting lugs.
- Lugs on cover permit easy removal and tightening.

**Materials**

- Box & cover: Copper free aluminum (less than 4/10 of 1%)
- Finish: Electrostatically applied powder coating – Grey
- O-Ring Gasket Material: Nitrile compound
- Hub Sizes: 1/2 NPT to 1-1/2 NPT
- Stainless steel tamper-proof locking set screw in cover.
- "X" configured cast-in mounting pad. Supplied with 4 corded holes for #8-32 self-tapping screws for mounting devices as standard. Units can also be provided with internal customer specified drilling and tapping for OEM device mounting.

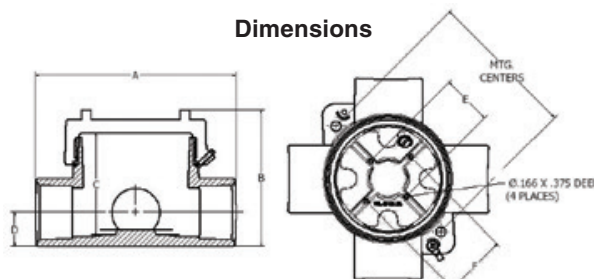


Application Example

HUB TYPE	CATALOG NUMBER	HUB SIZE	HUB TYPE	CATALOG NUMBER	HUB SIZE
C	GEB-1-EX	1/2"	L	GEBL-1-EX	1/2"
	GEB-2-EX	3/4"		GEBL-2-EX	3/4"
	GEB-3-EX	1"		GEBL-3-EX	1"
	GEB-4-EX	1-1/4"		GEBL-4-EX	1-1/4"
	GEB-5-EX	1-1/2"		GEBL-5-EX	1-1/2"
T	GEBT-1-EX	1/2"	X	GEBX-1-EX	1/2"
	GEBT-2-EX	3/4"		GEBX-2-EX	3/4"
	GEBT-3-EX	1"		GEBX-3-EX	1"
	GEBT-4-EX	1-1/4"		GEBX-4-EX	1-1/4"
	GEBT-5-EX	1-1/2"		GEBX-5-EX	1-1/2"
	GEBT-24-EX	3/4 - 1-1/4"			
GEBT-25-EX	3/4 - 1-1/2"				

*NOTE - 1/2" Hub Size supplied with 3/4"-1/2" NPT reducer*

**Dimensions**



**DIMENSIONS**

A	B	E	COVER OPENING	VOLUME IN <sup>3</sup> / ML	MOUING CENTERS
5.5" 140mm	4.31" 110mm	1.09" 28mm	3.5" 89mm	29 48ml	4.81" 122mm